



LVMP HIGH TRANSFER EFFICIENCY GUN SERIES



T-AGHV COMPACT AUTOMATIC GUN

Low Volume Medium Pressure

HIGH TRANSFER EFFICIENCY

FINE ATOMIZATION

LOW AIR CONSUMPTION

Comparing the existing Air Spray Gun or HVLP gun, LVMP gun makes higher transfer efficiency and better atomization possible with less air consumption.

- Save more than 10~30% paint.
- Decrease air consumption.

GUN TYPE	Gun Inlet Pressure (Mpa)	Air Cap Pressure (Mpa)	Air Consumption (NL/min.)
T-AGHV-5805-DFX LVMP GUN	0.25	0.20	280
T-AGHV-546-FX HVLP GUN	0.45	0.09	750
T-AGB-872-777-FX STANDARD GUN	0.40	0.35	500

- Calculation for the merit of low air consumption.
 $LVMP = 0.28 \times 60 \times 5 \times 200 = 16,800m^3 \times JP¥3 = ¥ 50,400/year$
 $HVLP = 0.75 \times 60 \times 5 \times 200 = 45,000m^3 \times JP¥3 = ¥ 135,000/year$
 $Air\ Gun = 0.50 \times 60 \times 5 \times 200 = 30,000m^3 \times JP¥3 = ¥ 90,000/year$

※ Assuming the operating hours as 5hrs/dayx200 days.
※ Air 1m³ = ¥3

SECTION 1

The difference of the transfer efficiency between standard spray gun and HVLP gun is the air velocity. The both air velocities are in the same sound-speed area when an instant of coming out from the air cap. However, when it becomes the distance of approximately 200mm, it generates large difference.

Why does LVMP have better transfer efficiency?

Therefore, if the velocity is low at 200mm distance, the transfer efficiency becomes better even atomized with higher air pressure than HVLP.

●Transfer Efficiency (Distance from Air Cap=200mm)

Gun Types	Gun Inlet Pressure Mpa	Air Cap Pressure Mpa	Air Consumption NL/min.	Air Velocity m/sec.	Transfer Efficiency %
T-AGHV-5805-DFX (LVMP Gun)	0.25	0.20	280	16	74
T-AGHV-546-FX (HVLP Gun)	0.45	0.09	750	19	55
T-AGB-872-777-FX (STANDARD Gun)	0.40	0.35	500	22	44

MODELS

T-AGHV-5 - Fluid Tip Size:
 Basic part number Air Cap No.:805,807 GD, DFX, DFW

Air Cap, Fluid Tip Selection

Fluid Tip Size	Air Cap No.	
	805	807
GD (0.7mm)	<input type="radio"/>	<input type="radio"/>
DFX (1.1mm)	<input type="radio"/>	<input type="radio"/>
DFW (1.6mm)	<input type="radio"/>	<input type="radio"/>
Spray Pattern (Spray Distance=200mm)	220mm (DFX)	300mm (DFX)

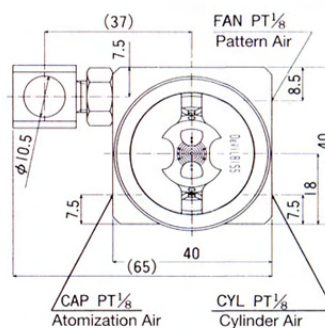
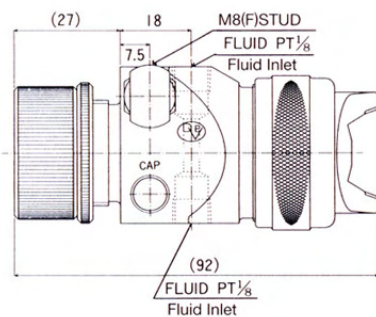
ACCESSORIES

- HD-505 Hose Cleaner (5 Quart)
- SSL-10 Gun Lube
- 42884-214-K5 Cleaning Brush Kit of 5
- GC-100-K48 Gun Cover Kit of 48
- KK-5033-805 Air Cap Test Kit
- KK-5033-807 Air Cap Test Kit

SPECIFICATION

Atomization Air Pressure (Gun Inlet): 0.4MPa(4.0kgf/cm²)
 Fluid Pressure: 0.7MPa(7.0kgf/cm²)
 Working Pressure: 0.35~0.7MPa(3.5~7.0kgf/cm²)
 Weight: 510g
 Fluid Inlet: R1/8
 Cylinder Air Inlet (CYL): R1/8
 Atomization Air Inlet (CAP): R1/8
 Pattern Air Inlet (FAN) R1/8
 Measurement: L92×W40×H40

SIZE



The figures and specifications of these products are subject to change without any notice.
 ※Delrin and Teflon are both registered marks of E.I.Du Pont de Nemours and Company.

BINKS • DEVILBISS DIVISION

RANSBURG INDUSTRIAL FINISHING KK

15-5, Fuku-ura 1Chome, Kanazawa-ku, Yokohama, Japan 〒236-0004
 TEL.81-45-785-6371 FAX.81-45-785-6517

For more information, please contact:



JQA-2700